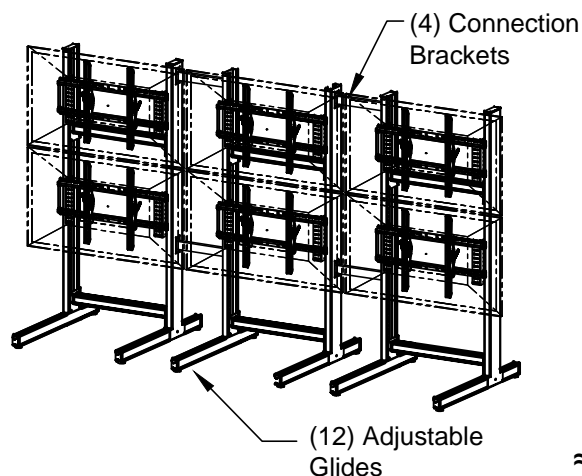
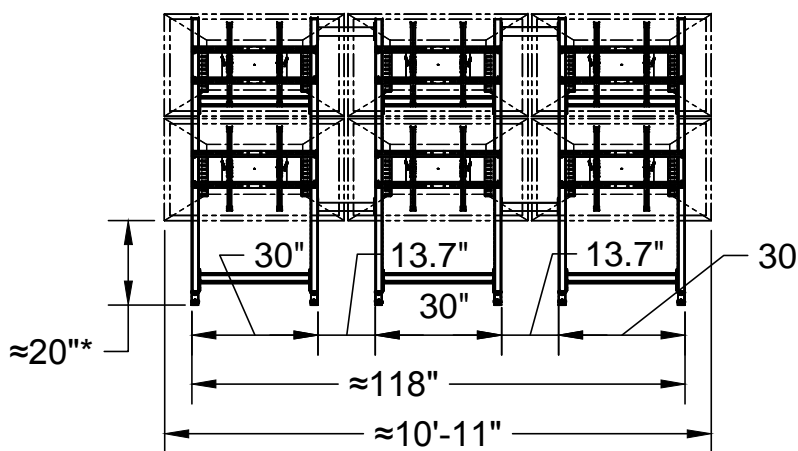


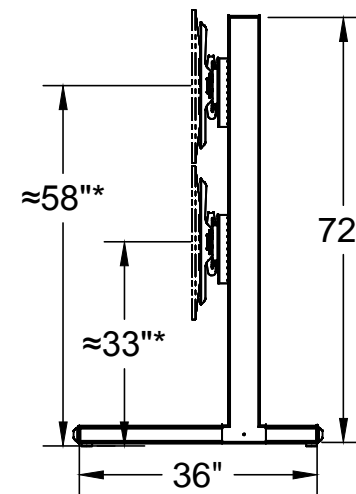
(6) Large Monitor Holder
AFC-3255 (Adjustable from
200x200mm up to 600x400mm
VESA Compliant)



ISOMETRIC VIEW
SCALE: 1/4" ≈ 1' - 0"



FRONT VIEW
SCALE: 1/4" = 1' - 0"



SIDE VIEW
SCALE: 3/8" = 1' - 0"

NOTES :
* - Adjustable dimensions

MATERIAL :
.
TOLERANCES UNLESS OTHERWISE SPECIFIED
FRACTIONAL ±1/64
2 PLC. DEC. ±.01
3PLC. DEC. ±.001
ANGULAR ±.5°
FINISH

DRAWN BY: BD/GM

DATE: 8/3/17

DESCRIPTION :
Monitor Wall Stand

APPROVED

USED ON :

ENG :

MFG :

QA :

PATH :
\\Fin.AssyWallMount\Monitor Wall Stand\

SCALE AS SHOWN

SHEET: 1 OF 1

PDF NAME:
MWS_118_38_72_(3+3)3255_01

SIZE
A4