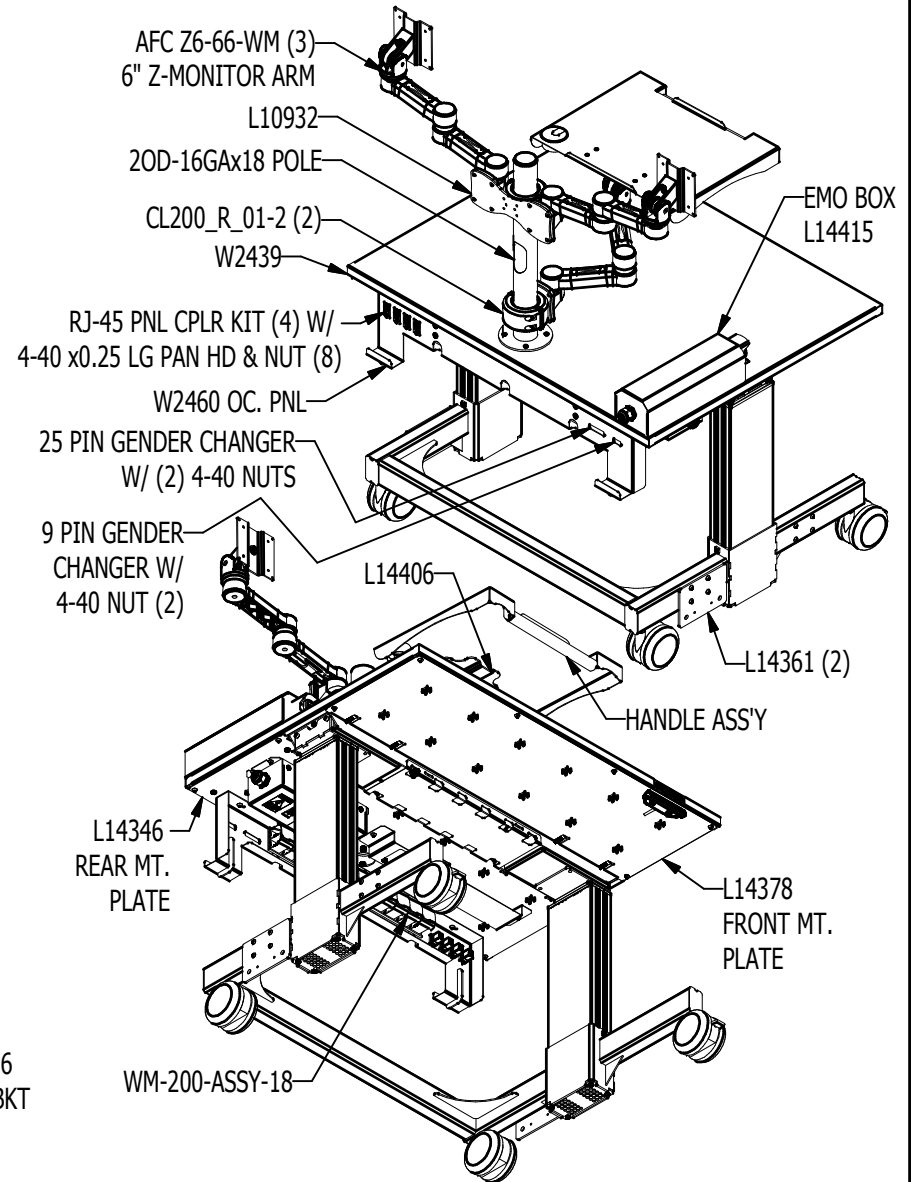
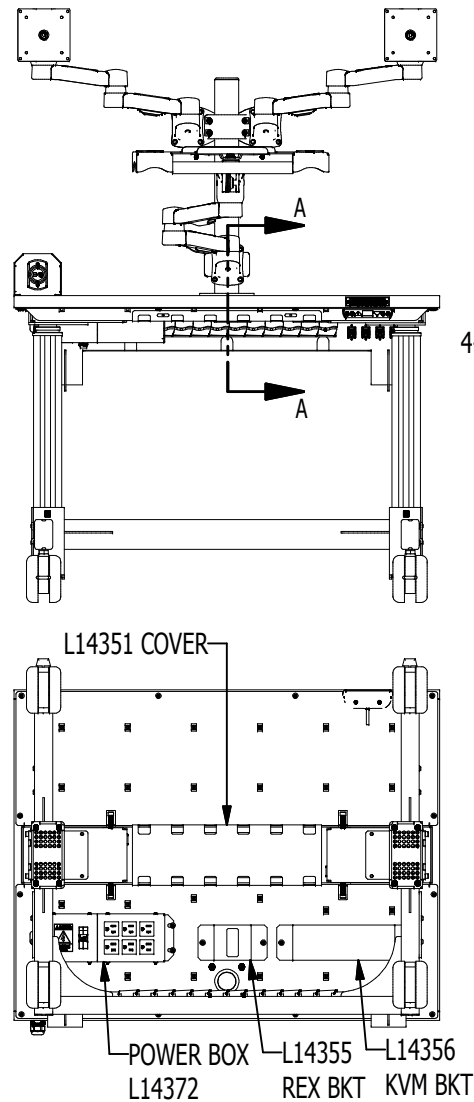


SECTION A-A



AM-IL_AF3527_2F_LP_03

NOTES:

QTY=1/unit
AM-IL_AF3527_2F_LP_03,
AM-IL_AF3527_2F_LP_03-B

MATERIAL:
_GA

Weight: N/A
SHEET 1 OF 3
SCALE:

DATE: 7/25/2019

DRAWN BY: jchen

DESCRIPTION:
Part Number:AM-IL_AF3527_2F_LP_03
PATH: L:\PP&T-DWG\1 INVENTOR CONTENT
CENTER\Library\FinalAssem-SoldToCustomers\Customer\Applied Material
Israel\AM-ILAF3527_2F_LP_01\AM-IL_AF3527_2F_LP_03.idw